

Please go to www. quoizel.com for product cleaning tips. Go to the **Care + Maintenance** selection.

Tools Required: Flathead screwdriver, Phillips screwdriver, pliers, wire cutters, wire strippers, electrical tape, safety glasses.

Light Source: (2) Medium Base 60W Maximum, Alternate bulb (2) 13W CFL and (1) 7W C7 Candelabra Base Bulb (supplied).

Estimated Assembly Time: 20-30 minutes

Preparation: Identify and inspect all parts before beginning installation. Check package content list and diagrams below to be sure all parts are present. If any parts are missing or damaged, do not attempt to assemble, install, or operate the fixture. Contact customer service for replacement parts.

⚠ Warnings and Cautions

Turn off electricity at circuit breaker or main fuse box before installation. Consult a licensed electrician if in doubt.

These instructions are provided for your safety. It is very important you read them completely before installing the fixture. We strongly recommend that a licensed, professional electrician perform the installation.

Disconnect fixture from power source before replacing bulbs. Make sure bulbs are given sufficient time to cool before removal. Do not subject glass parts to any shock while in operation or shattering may result.

⚠ Care of Tiffany Style Shade

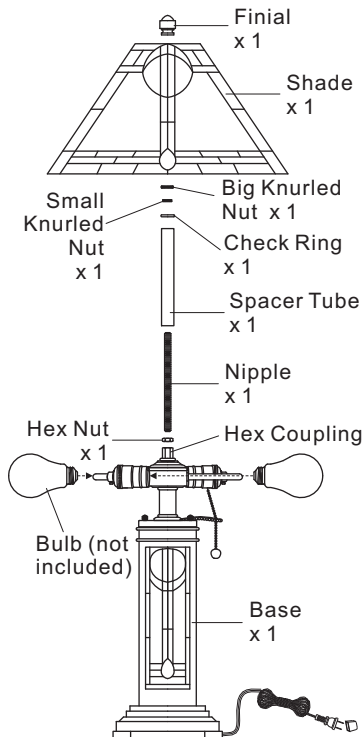
A new tiffany lamp shade has an oil film applied to the shade that protects the tiffany shade from scratches during shipment. If the oil applied is too heavy you can remove the excess oil film with a paper towel. Gently wipe away the excess oil.

For general cleaning of tiffany shades use a gentle lemon oil-based furniture polish applied to a soft cloth and wipe gently.

If a white powder appears on the soldered joints of the tiffany shade this is a normal oxidation process. Use a small amount of lemon oil or mineral oil applied directly to oxidized areas and the soldered area will return to like new.

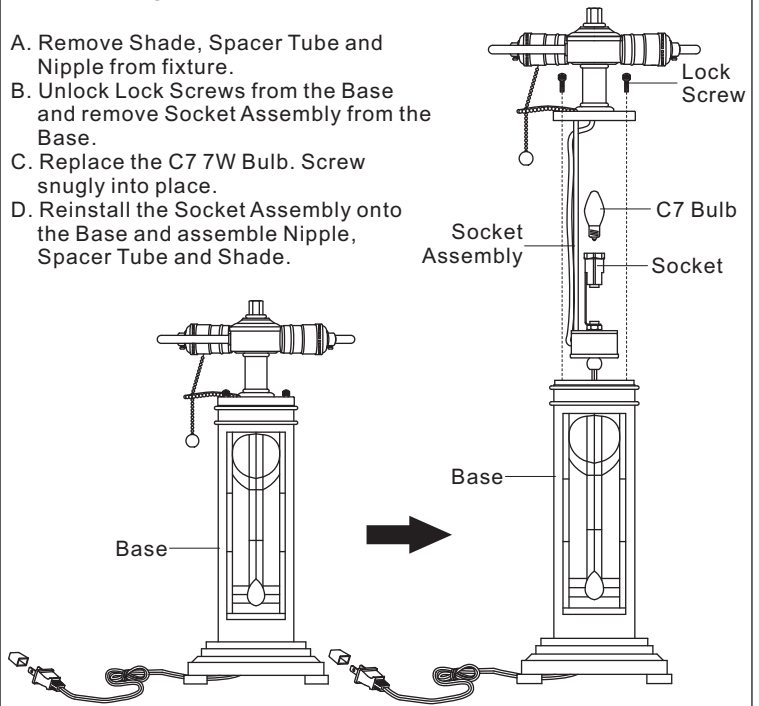
- Thread the Hex Nut onto the Nipple and then thread the Nipple into the Hex Coupling on the top center of the Base. By using pliers, thread the Hex Nut against the Hex Coupling and hand tighten until snug.
- Place the Spacer Tube and the Check Ring over the Nipple. Secure by threading the Small Knurled Nut onto the Nipple. Hand tighten until snug.
- Thread the Big Knurled Nut onto the Nipple and adjust it to proper location for the Shade and the Finial.
- Place the Shade over the Nipple and secure with the Finial. Hand tighten until snug.
- This fixture uses standard bulb with medium base. Maximum 60 watts. Insert bulb and screw snugly into place.

Your fixture is now assembled and ready to use. Enjoy!



How To Replace C7 Bulb

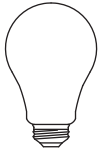
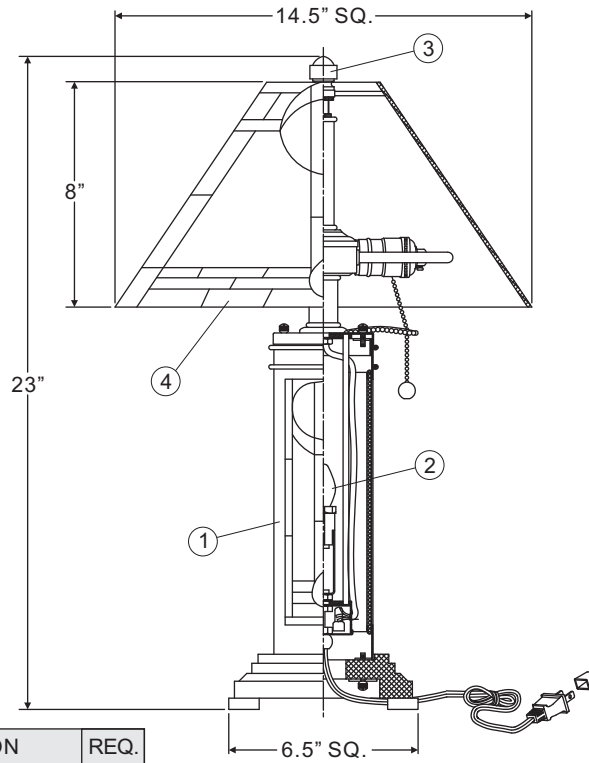
- Remove Shade, Spacer Tube and Nipple from fixture.
- Unlock Lock Screws from the Base and remove Socket Assembly from the Base.
- Replace the C7 7W Bulb. Screw snugly into place.
- Reinstall the Socket Assembly onto the Base and assemble Nipple, Spacer Tube and Shade.



Thank you for purchasing a Quoizel product.
Need assistance with parts or assembly? Call Quoizel customer service at 1-631-273-2700
or visit us on-line at www. quoizel.com

NX615TVA

FINISH: VALIANT BRONZE



(2) 60W Medium Base Bulbs (Not Supplied)



(1) 7W C7 Candelabra Base Bulb (Supplied)

NO.	PART NUMBER	REPLACEMENT PART DESCRIPTION	REQ.
1	1615TVANX	BASE	1
2	BU000001	BULB	1
3	M2045FIVA	FINIAL	1
4	G2186SH	SHADE	1

NOTE: ALL DIMENSIONS ARE ROUNDED UP TO THE NEAREST 1/2"

Thank you for purchasing a Quoizel product.
Need assistance with parts or assembly? Call Quoizel customer service at 1-631-273-2700
or visit us on-line at www.quoizel.com