

SAFETY INFORMATION

Please read and understand this entire manual before attempting to assemble, install or operate the product.

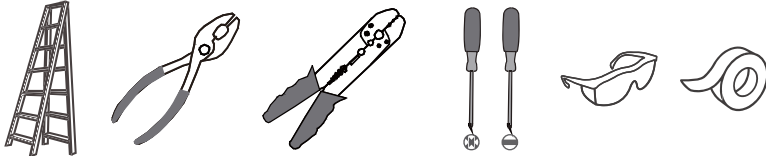
WARNING

- RISK OF ELECTRIC SHOCK - Before beginning installation, turn off electricity at the circuit breaker box or the main fuse box.

CAUTION

- For your safety, read instructions completely before beginning installation.
- If in doubt about electrical installation, consult a licensed electrician.

TOOLS REQUIRED



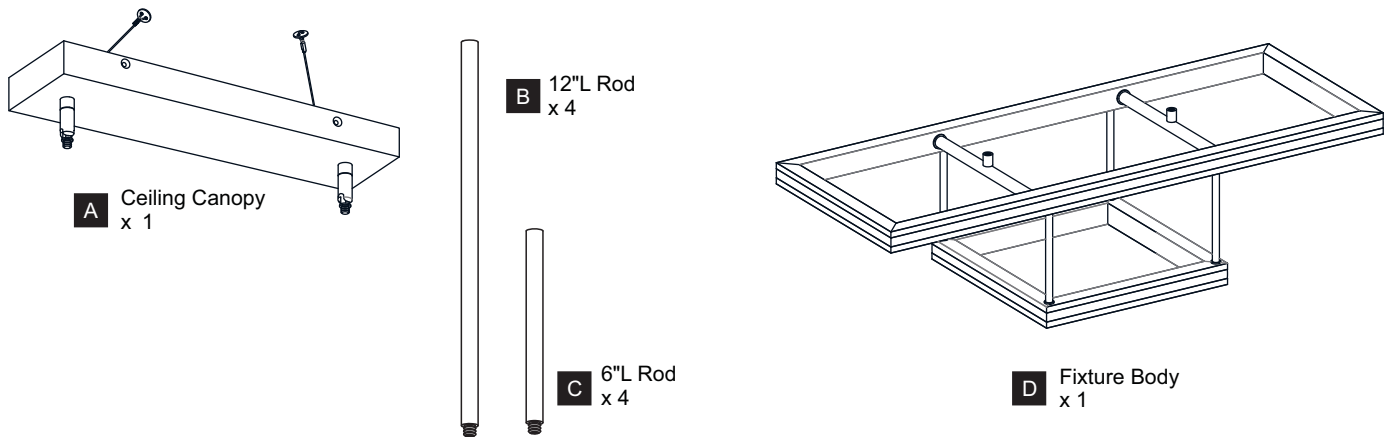
Ratings	120Vac, 60Hz	
	Model No.	Wattage
	PCAYD238MBK	45W

CARE AND MAINTENANCE

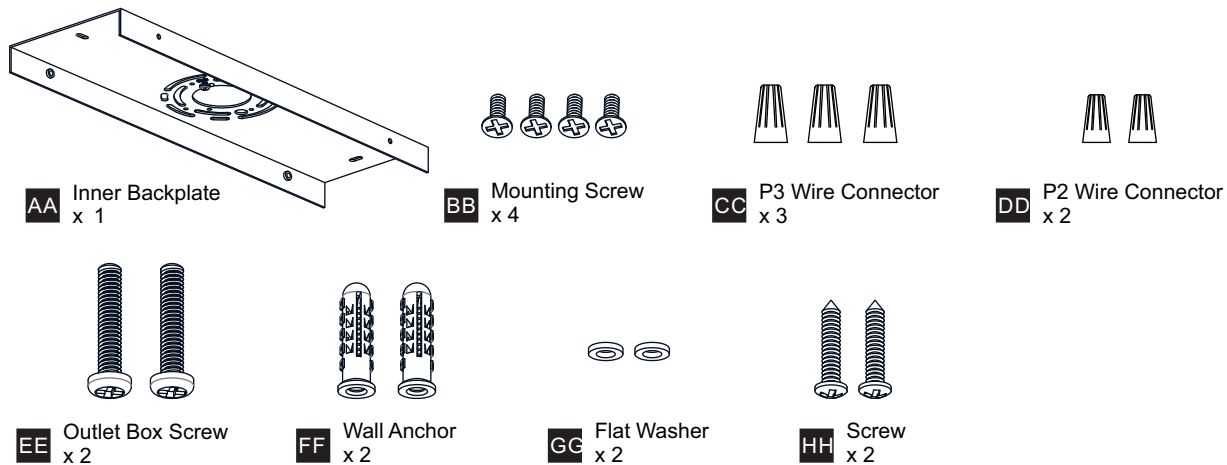
- Wipe clean using soft, dry cloth or static duster. Always avoid using harsh chemicals and abrasives to clean fixture as they may damage the finish.

If you need further assistance call Quozel Customer Care at 1-800-645-3184 (9:00am - 5:00pm EST), or visit us on-line at www.quezel.com.

PACKAGE CONTENTS



MOUNTING HARDWARE



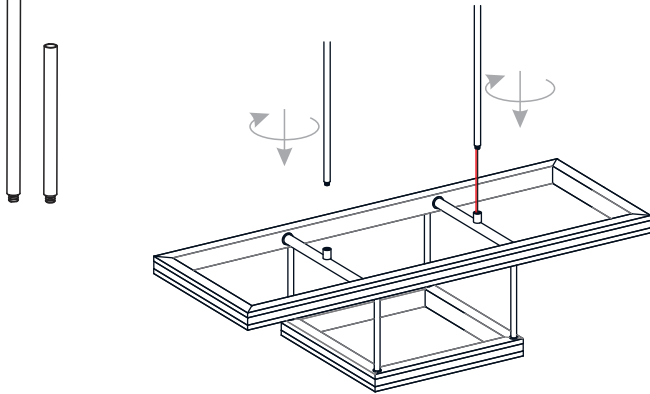
INSTALLATION

1 Install Rods

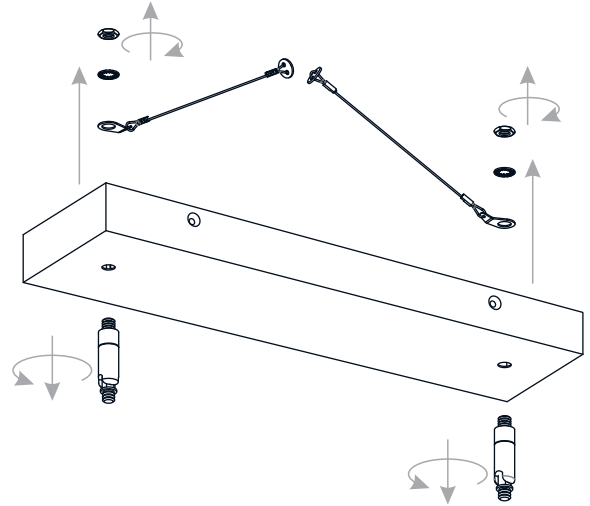
Optional Rods:

8 Feet Ceiling:
(2) 12"L Rods each side.

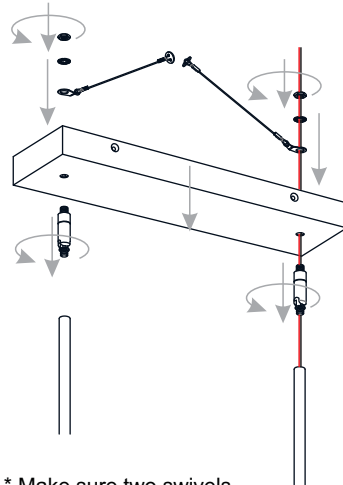
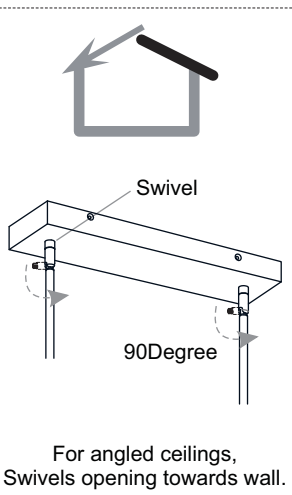
9 Feet Ceiling:
(2) 6"L Rods + (2) 12"L Rods each side.



2 Separate Swivels from Ceiling Canopy

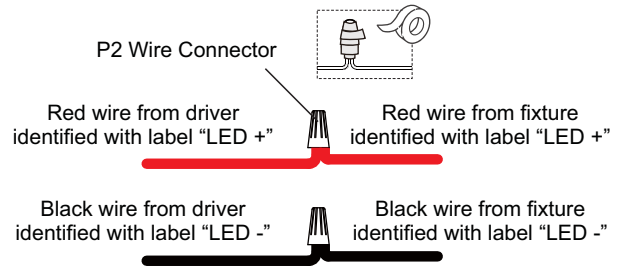


3 Install Swivels and Ceiling Canopy to Upper Rods

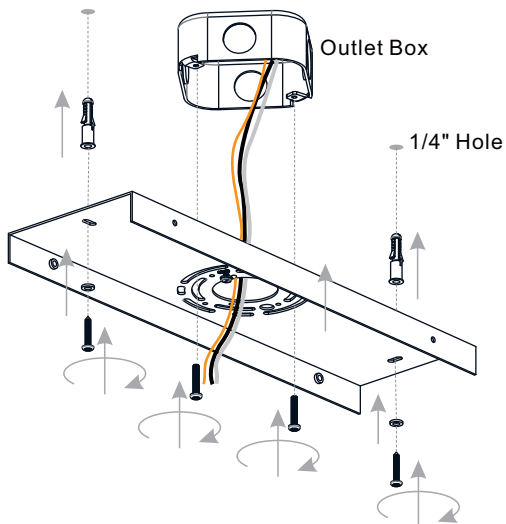


* Make sure two swivels opening are in the same direction while assembling.

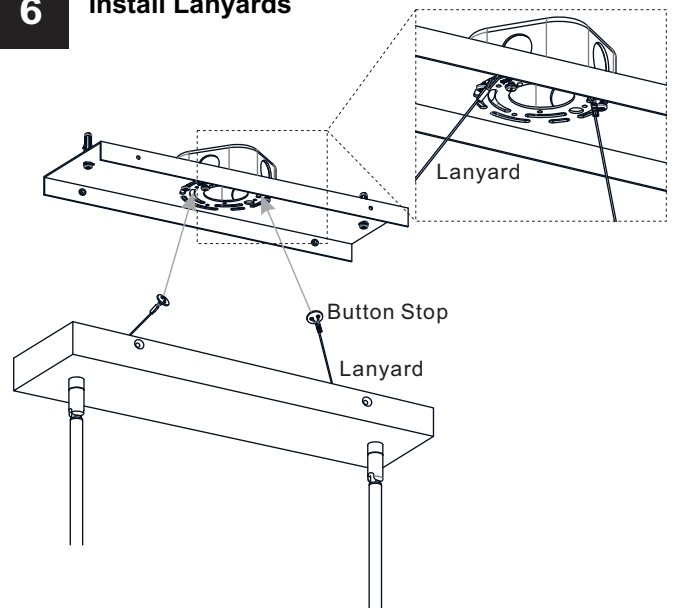
4 Connect Fixture Wires to Driver



5 Install Inner Backplate

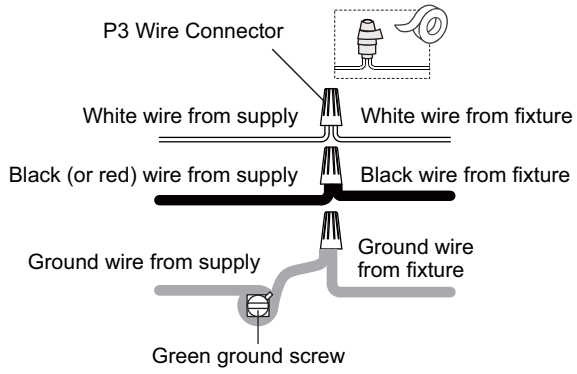


6 Install Lanyards

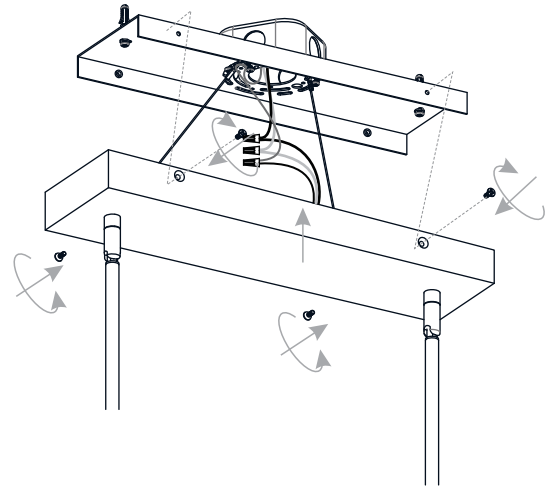


INSTALLATION

7 Wiring



8 Install Ceiling Canopy



Your installation is now complete! Restore electricity and save this sheet for future reference.