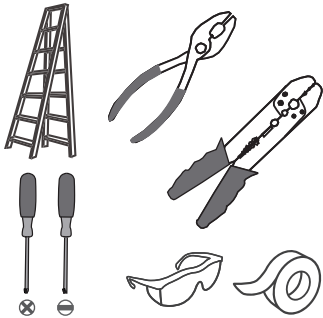
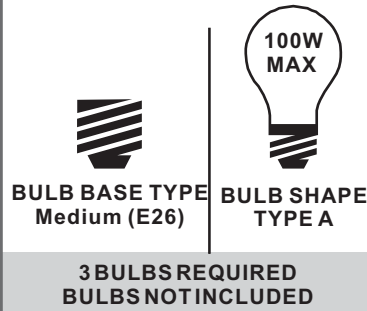


Tools Required



Light Source



Warnings and Cautions

Turn off the electricity at the circuit breaker before installation. Consult a licensed electrician if in doubt about installation.

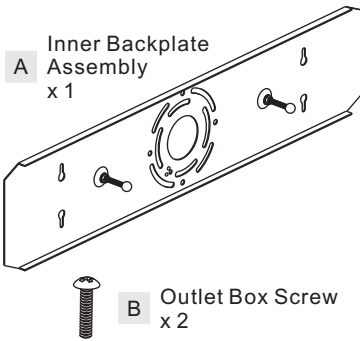
Turn off power to the fixture and allow the bulbs to cool before replacing.

Package Contents

Preparation: Identify and inspect all parts before beginning the installation.

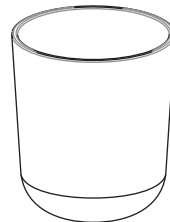
Missing or damaged parts? Contact your original place of purchase.

PARTS BAG

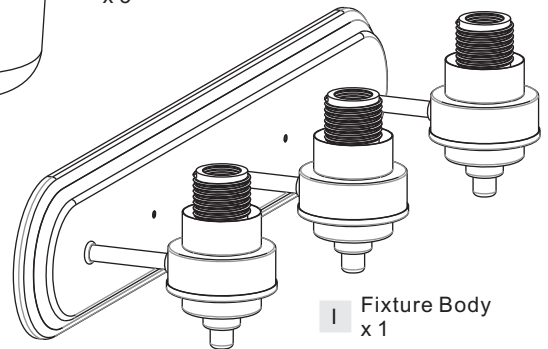


- C** Wall Anchor x 2
- D** Flat Washer x 2
- E** Screw x 2
- F** Wire Connector x 3

- G** Socket Collar x 3



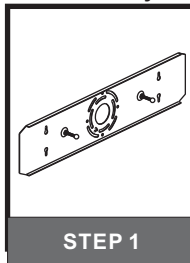
- H** Shade x 3



- I** Fixture Body x 1

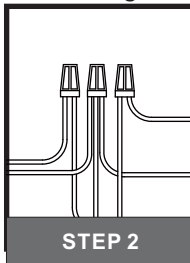
Table of Contents

Inner Backplate Assembly



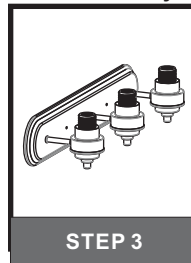
STEP 1

Wiring



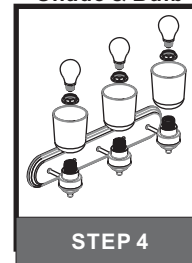
STEP 2

Fixture Body



STEP 3

Shade & Bulb

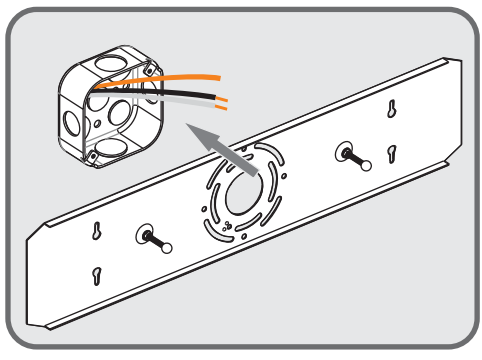


STEP 4

STEP 1

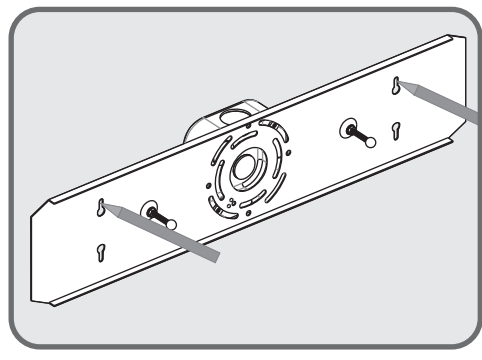
1

Fit inner backplate to outlet box



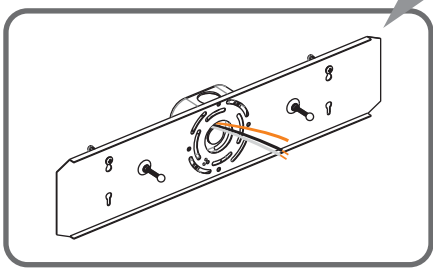
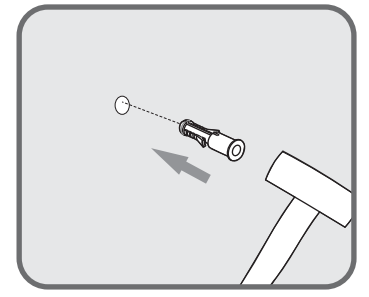
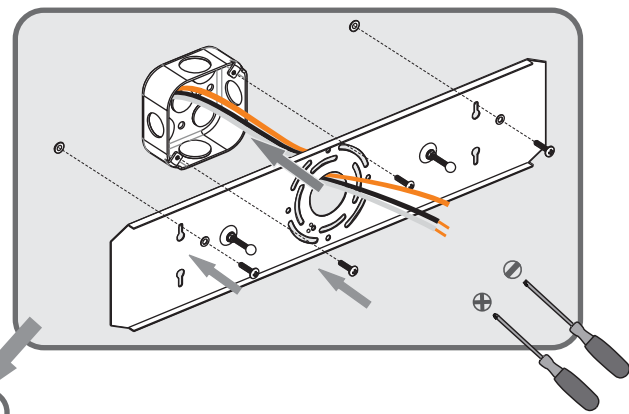
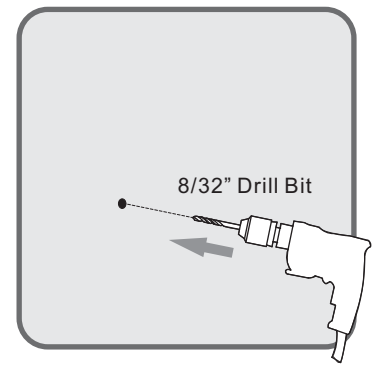
2

Mark Anchor Holes Location on the Wall



3

Drill Holes for Anchors from marks



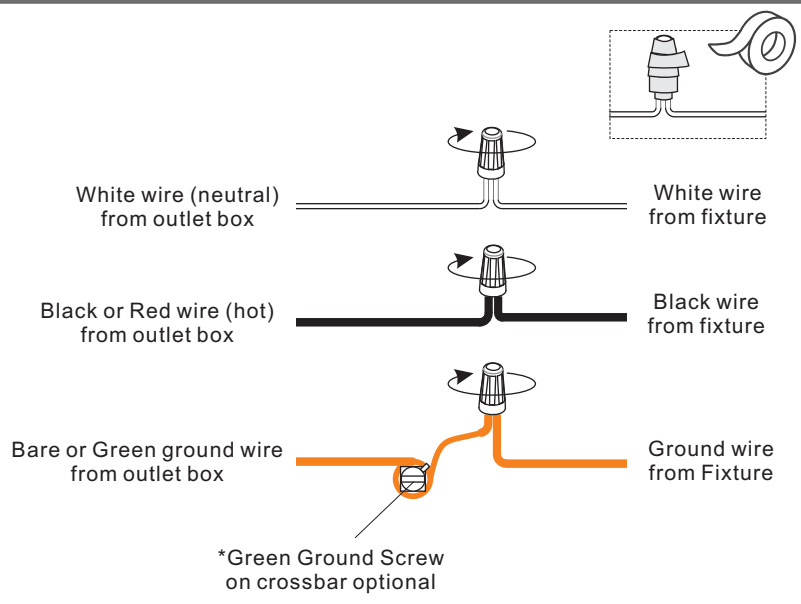
Install Inner Backplate Assembly

Install Wall Anchors

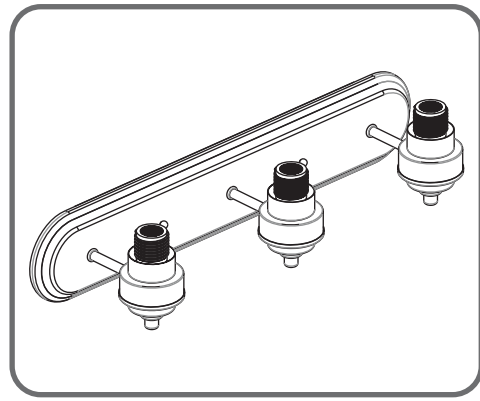
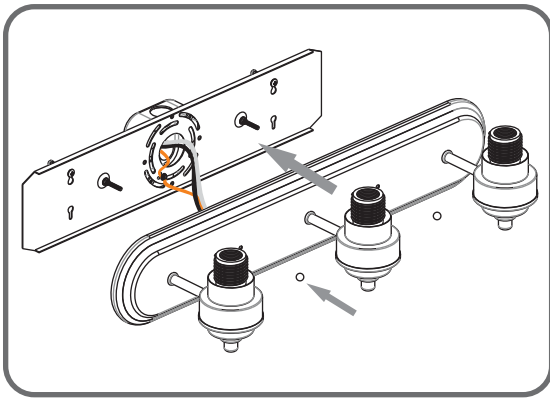
5

4

STEP 2



STEP 3



STEP 4

