

Please go to www.quoizel.com for product cleaning tips. Go to the **Care + Maintenance** selection.

Tools Required: Flathead screwdriver, Phillips screwdriver, pliers, wire cutters, wire strippers, electrical tape, safety glasses.

Light Source: (2) A19 Medium Base 60W bulbs Maximum, bulbs not included.

Estimated Assembly Time: 30-45 minutes

Preparation: Identify and inspect all parts before beginning installation. Check package content list and diagrams below to be sure all parts are present. If any parts are missing or damaged, do not attempt to assemble, install, or operate the fixture. Contact your original place of purchase.

⚠ Warnings and Cautions

Turn off electricity at circuit breaker or main fuse box before installation. Consult a licensed electrician if in doubt.

These instructions are provided for your safety. It is very important you read them completely before installing the fixture. We strongly recommend that a licensed, professional electrician perform the installation.

Disconnect fixture from power source before replacing bulbs. Make sure bulbs are given sufficient time to cool before removal.

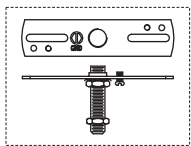
⚠ Care of Tiffany Style Shade

A new tiffany lamp shade has an oil film applied to the shade that protects the tiffany shade from scratches during shipment. If the oil applied is too heavy you can remove the excess oil film with a paper towel. Gently wipe away the excess oil.

For general cleaning of tiffany shades use a gentle lemon oil-based furniture polish applied to a soft cloth and wipe gently.

If a white powder appears on the soldered joints of the tiffany shade this is a normal oxidation process. Use a small amount of lemon oil or mineral oil applied directly to oxidized areas and the soldered area will return to like new.

Package Contents



A Crossbar Assembly x 1



D Flat Washer x 1



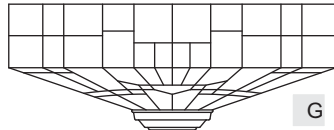
E Hex Coupling x 1



F Nipple with Hex Nut 4"L x 1



B Ceiling Canopy x 1



G Shade x 1



C Lock Washer x 2



H Finial x 1

STEP 1 – Install the Crossbar Assembly to Outlet Box and Adjust the length of the Nipple

- Attach the Crossbar Assembly (A) to the Outlet Box with the head of the Green Ground Screw facing you. Secure it with Outlet Box Screws (not included), tighten until snug.
- Place Ceiling Canopy (B), Flat Washer (D) and Lock Washer (C) over Nipple against the ceiling to determine the correct position of Nipple. Adjust Nipple to allow Ceiling Canopy (B) to rest against the ceiling when held in place by Hex Coupling (E).
- Remove Hex Coupling (E), Lock Washer (C), Flat Washer (D) and Ceiling Canopy (B). Tighten Upper Hex Nut against Crossbar Assembly (A) to secure in place.
- Adjust under Hex Nut just enough so that the inside surface of Ceiling Canopy (B) rests against it. You may have to trial fit Ceiling Canopy (B) one more times to insure this distance also. This Under Hex Nut is needed here to prevent you from crushing down the center of Ceiling Canopy (B).

(Step 1 Continued)

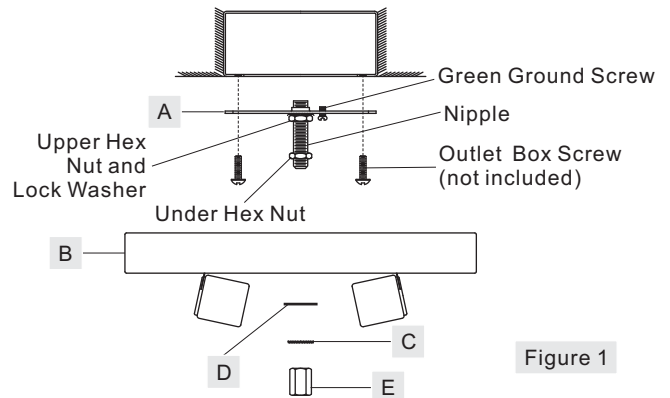


Figure 1

STEP 2 - Wire Connections

- Wrap bare or green ground wire around green ground screw on the crossbar, no less than 2 inches from the end of the wire. Tighten the green ground screw.
- Use standard wire connectors (not included) to make all wire connections. Twist connectors until wires are tightly joined together. Wrap each connection with approved electrical tape and carefully stuff all the connected wires into the Outlet Box.

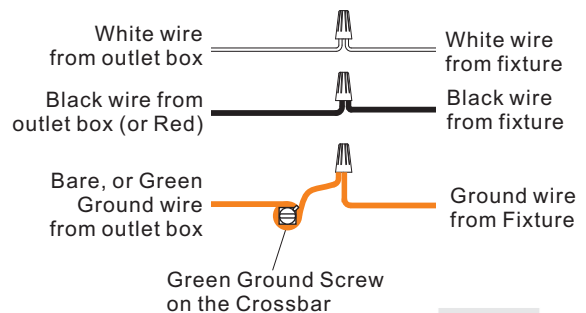


Figure 2

STEP 3 - Install Ceiling Canopy

A. Place Ceiling Canopy (B), Flat Washer (D) and Lock Washer (C) over Nipple and secure with Hex Coupling (E). Hand tighten until snug.

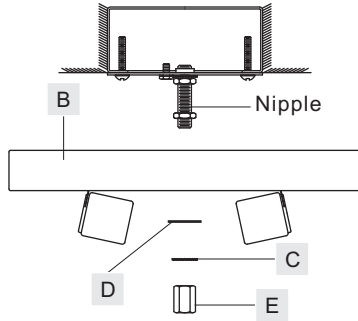


Figure 3

STEP 5 - Install Shade

A. Place Shade (G) over the end of Nipple with Hex Nut (F) and secure with Finial (H). Hand tighten until snug.

Your fixture is now assembled and ready to use. Enjoy!

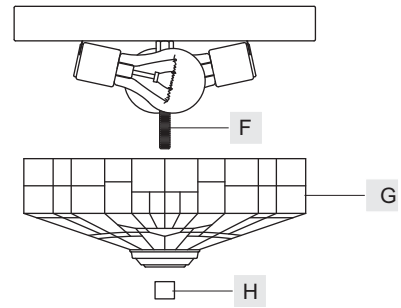


Figure 5

STEP 4 - Install Bulb

A. Thread the Hex Nut end of Nipple with Hex Nut (F) into Hex Coupling (E). By using pliers, thread Hex Nut against Hex Coupling (E) and hand tighten until snug.

B. Insert the bulb onto the socket and screw snugly into place.

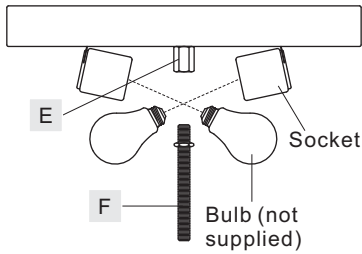


Figure 4