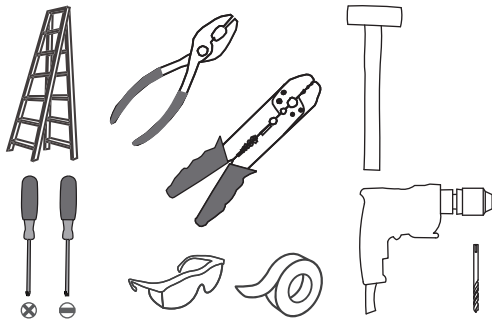
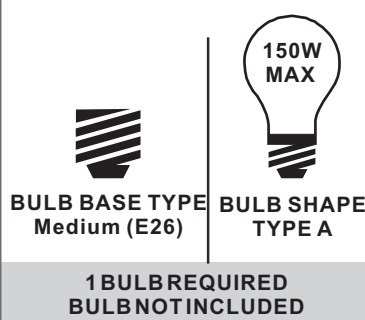


Tools Required



Light Source



Warnings and Cautions

This fixture is not intended to be mounted on the ground. The fixture must be elevated per local building codes.

Turn off the electricity at the circuit breaker before installation. Consult a licensed electrician if in doubt about installation.

Turn off power to the fixture and allow the bulbs to cool before replacing.

Package Contents

Preparation: Identify and inspect all parts before beginning the installation.

Missing or damaged parts? Contact your original place of purchase.

PARTS BAG

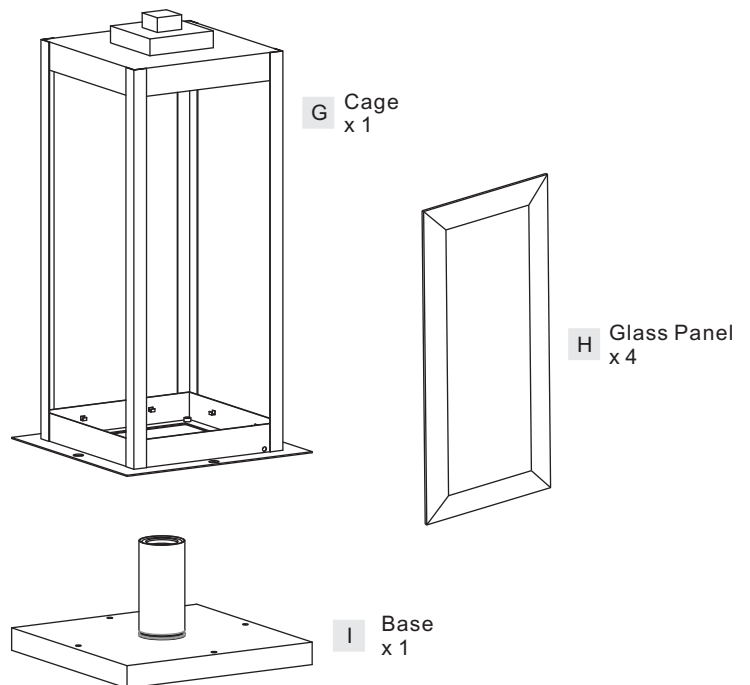
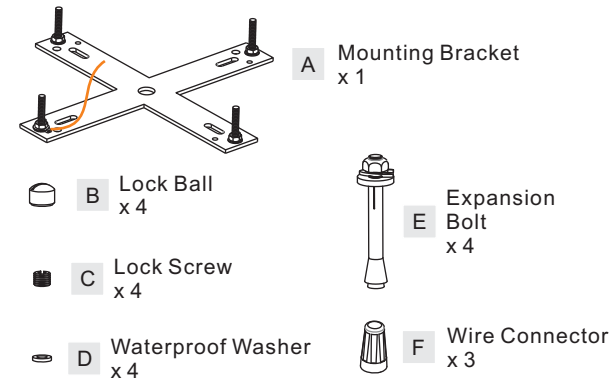
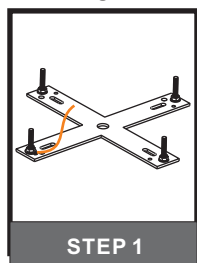
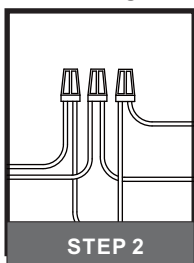


Table of Contents

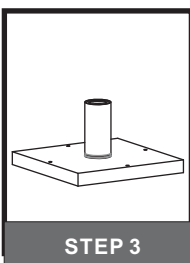
Mounting Bracket



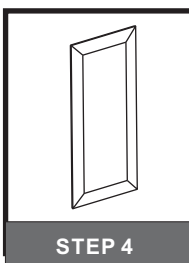
Wiring



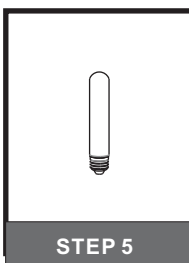
Base



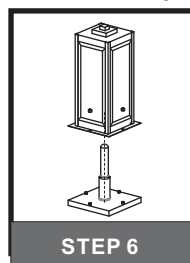
Glass Panel



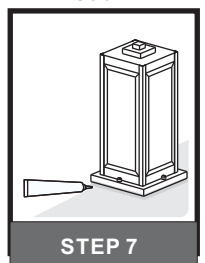
Bulb



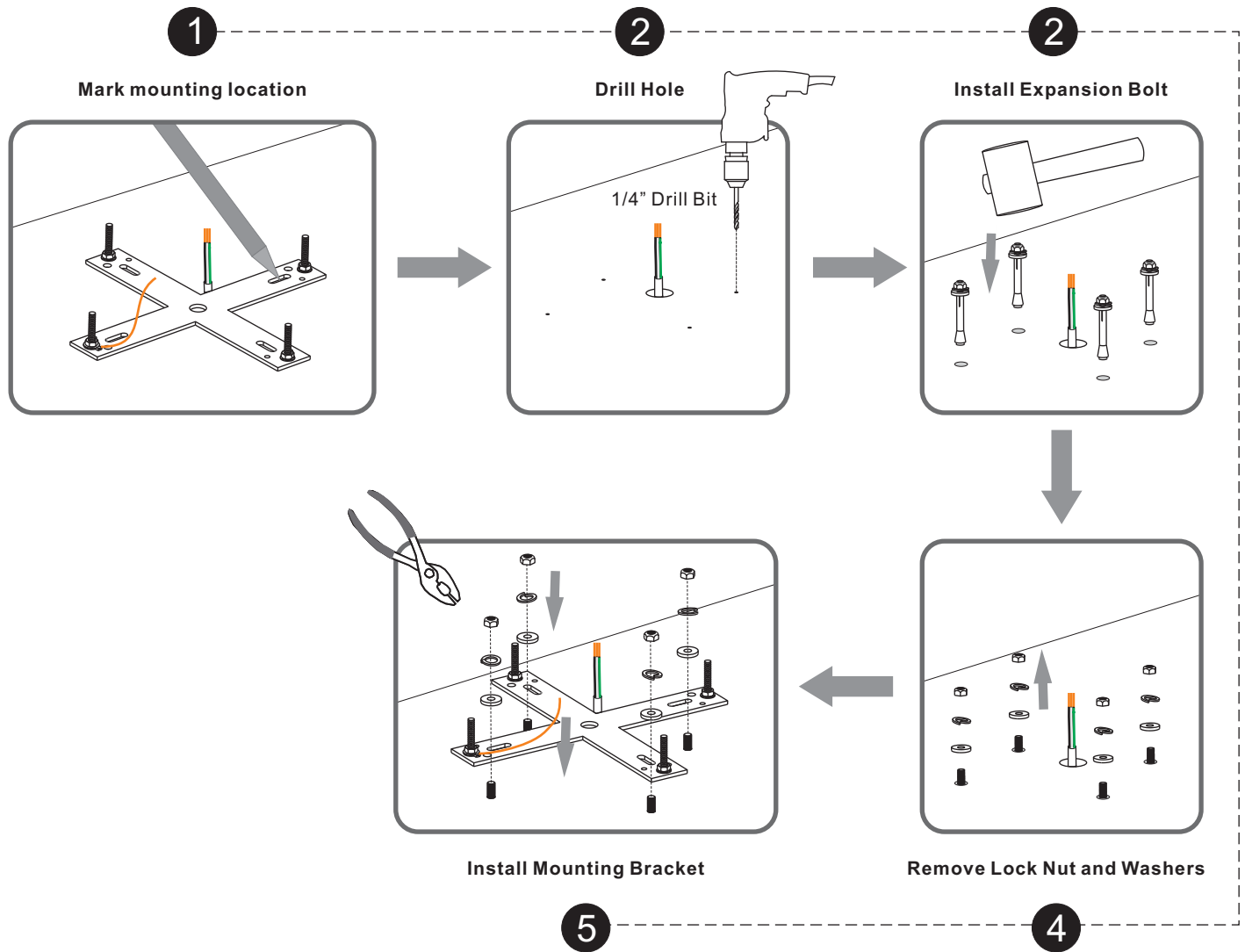
Fixture Body



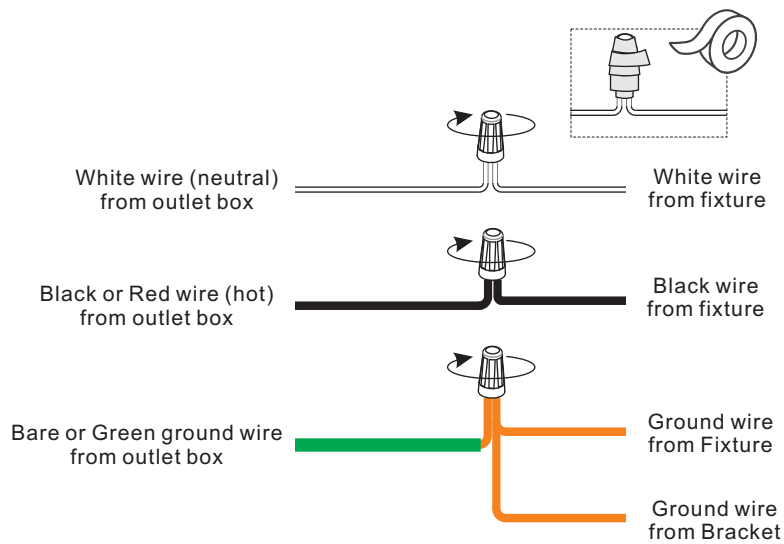
Caulk



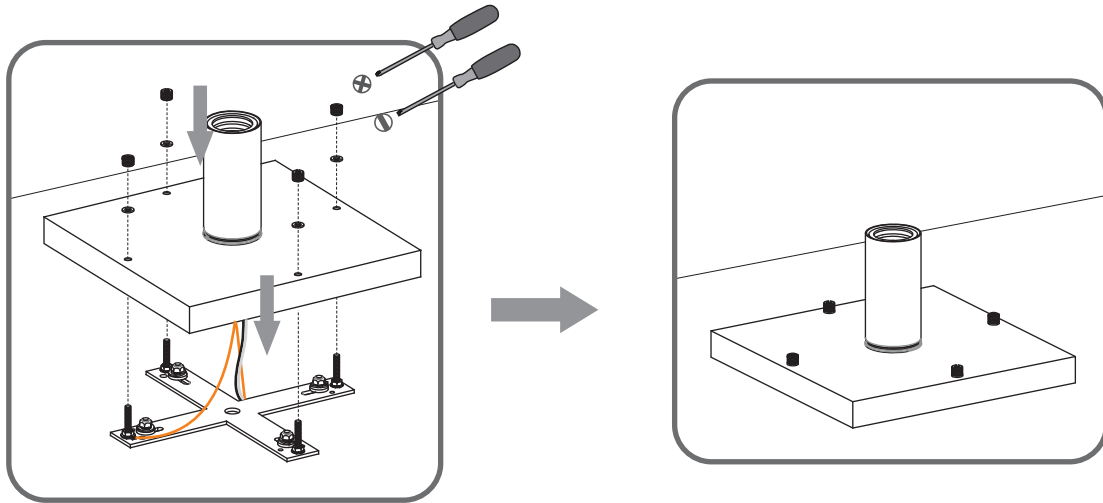
STEP 1



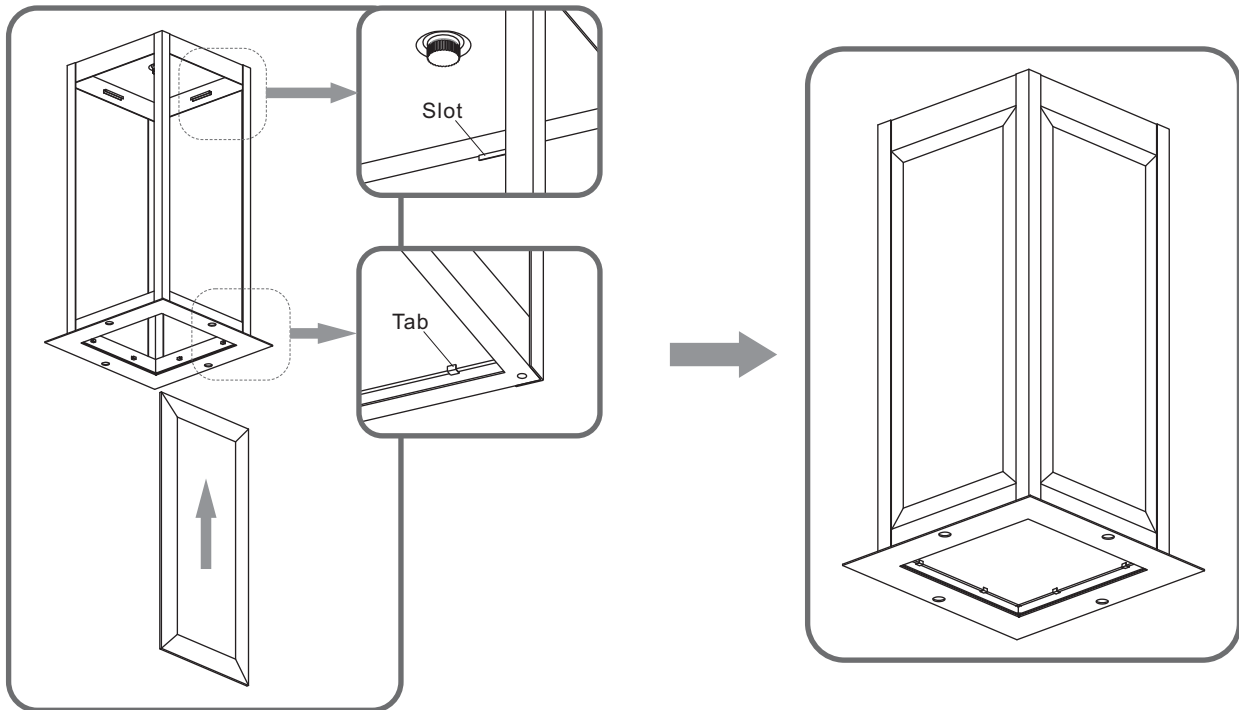
STEP 2



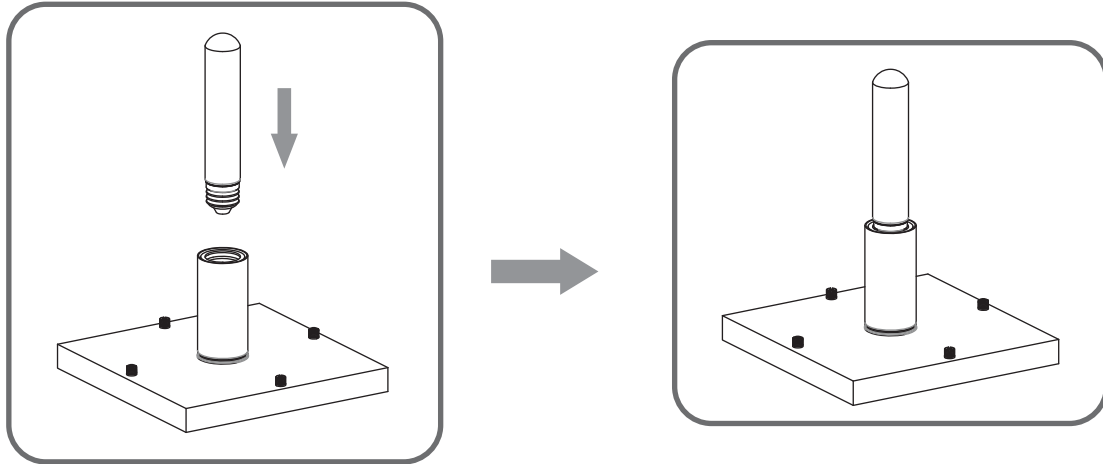
STEP 3



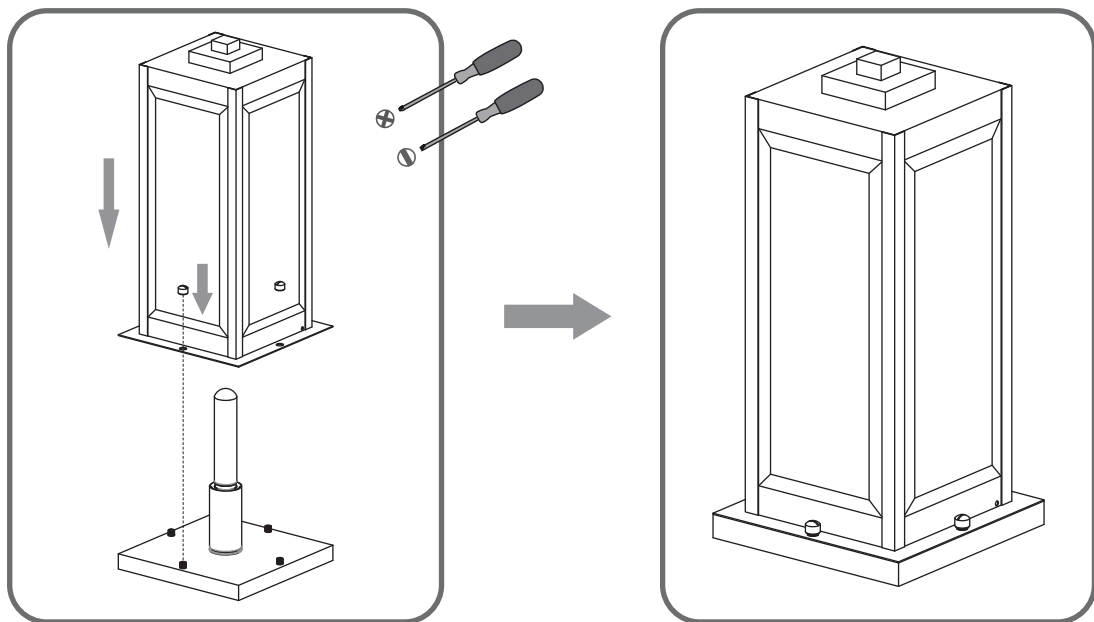
STEP 4



STEP 5



STEP 6



STEP 7

